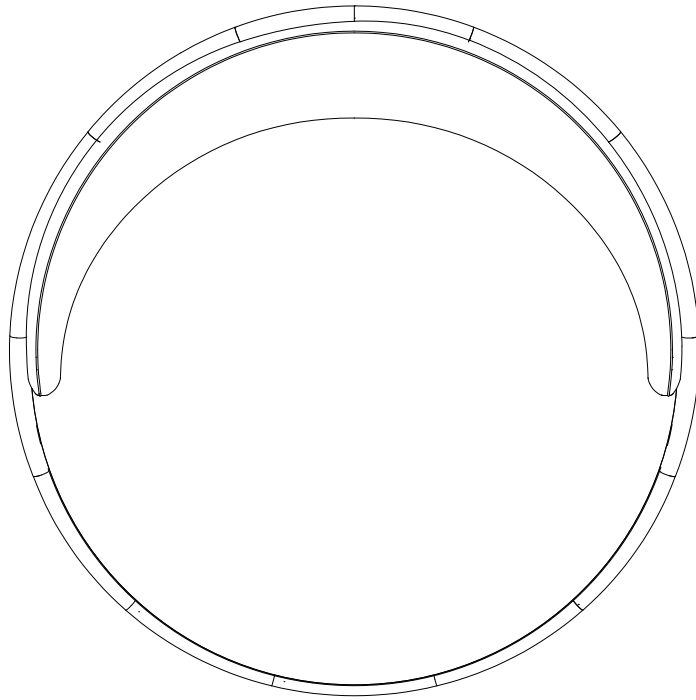


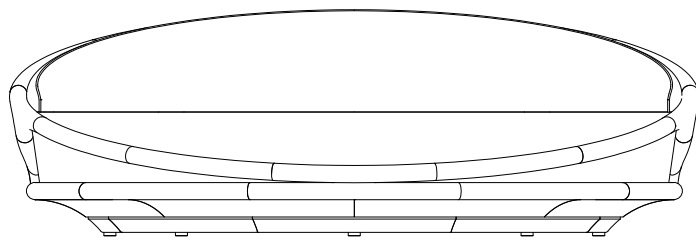
201

200



110

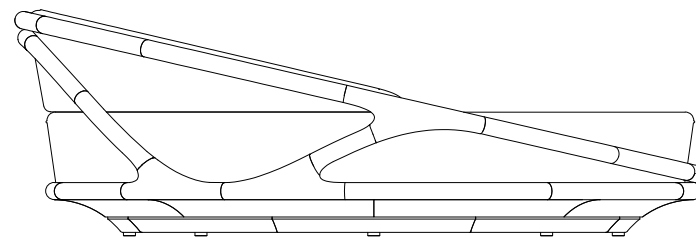
67



191

50

15

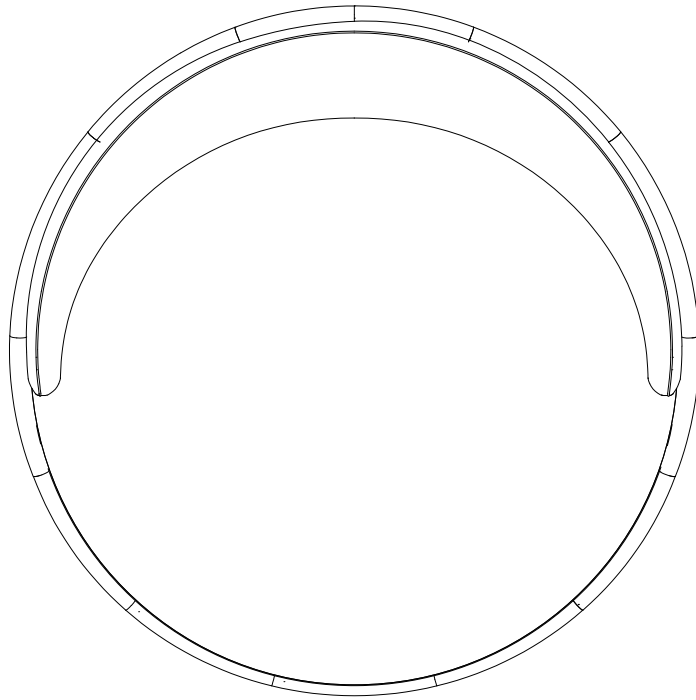


36

140

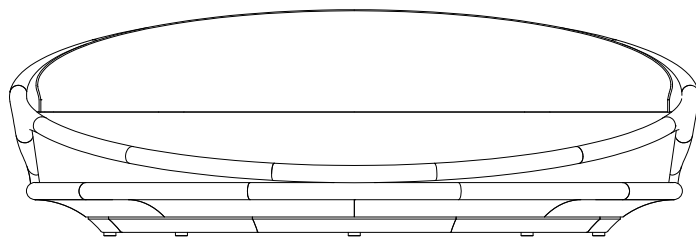
79.1

78.7



43.3

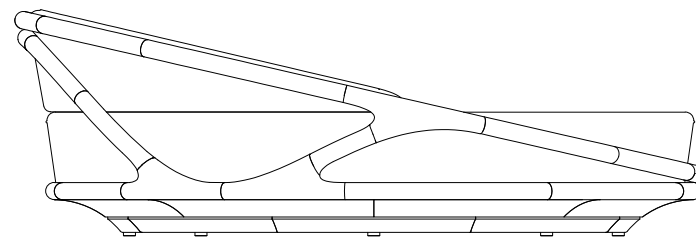
26.5



75.2

19.7

5.9



55.1

14.2